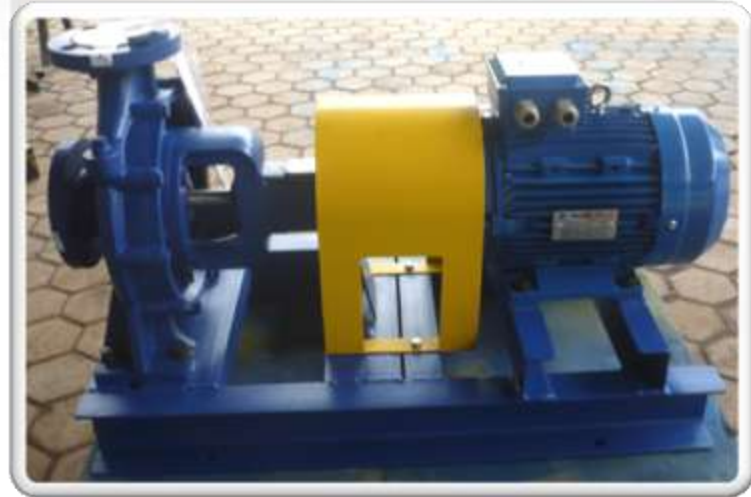


## PUMP & MOTOR COUPLE



# PUMP & MOTOR COUPLE



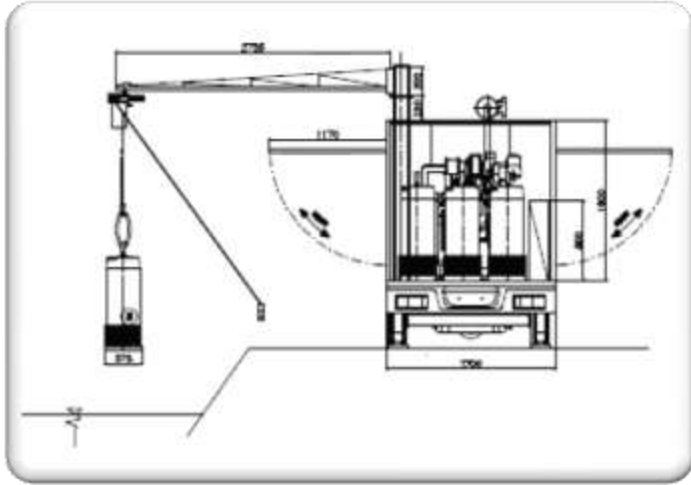
# PUMP COUPLE



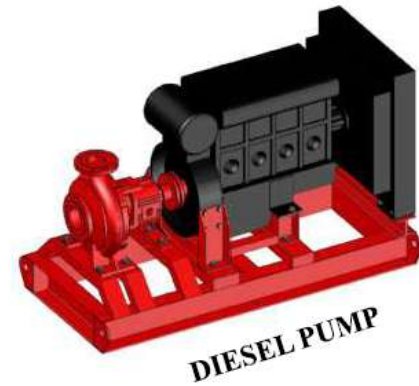
WARMAN PUMP  
SLURRY PUMP, CUSTOMER:  
JEBSEN & JESSEN TECHNOLOGY  
INDONESIA  
END USER: KPC, ADARO, BUMA, SIS

# MOBILE PUMP (TRAILER)

**Proj : PU Bekasi**  
**Kontr : Grundfos**  
**Cap : 50 lps x 3**  
**Head : 10 mtr**  
**Power: Perkins 110 KVA**  
**Control: Manua**



# FIRE PUMP



## FIRE PUMP:

**CAPACITY : 500 USGPM-HEAD 60-80 MTR**

**PUMP : EBARA**

**DIESEL : IZUSU-FOTON**

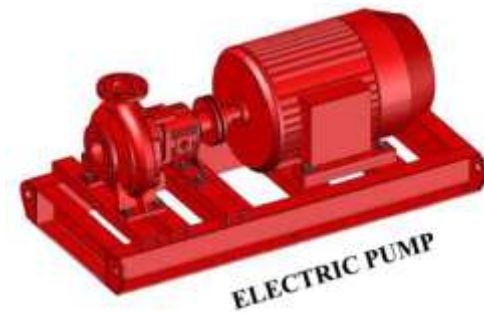
**MOTOR : ELECTRIM**

**JOCKEY : GRUNDFOS CR TYPE**

**END USER : HYPERKES - JAKARTA**



**CR**  
Stainless steel AISI 304  
with a cast iron top and  
base.



# PRESSURE BOOSTER UNIT



**Proj : Move Hotel Solo**  
**Kontr : Tatametrik**  
**Cap : 200 lpm x 2**  
**Head : 40 mtr**  
**Starter: Inverter**  
**Control: Pres Transmittter**  
**System: Paralel Alternat**



# CIRCULATION & DISTRIBUTION CHILLER PUMP



**Proj : Guardian-Citeureup**  
**Kontr : Mitra Cipta Teknik PT**  
**Cap : 200 lpm x 2 & 300 lpm x 2**  
**Head : 40 mtr**  
**Starter: Inverter**  
**Control: Pres Transmitter**  
**System: Paralel Alternate**

